

Cash-Flo® Pressure Vacuum Breaker PVB

DESCRIPTION

The pressure vacuum breaker is designed to be installed in high hazard service to provide backflow protection against back-siphonage of contaminated fluids. It incorporates an independently acting check valve with a spring loaded float disc. Under normal operation, the float disc remains closed. When the internal pressure of the device falls to 1 PSI or less, the float disc opens to atmosphere. This feature prevents back-siphonage or the creation of a vacuum.

FEATURES AND BENEFITS

Replaceable seat:

Allows for easy repair, reduces costs and saves time.

Fewer internal parts:

Allows for easy maintenance, reduces costs and saves time.

Corrosion resistant parts:

Provides for longer life with less service.

Valve bonnet and seat rings composed of high quality Noryl™:

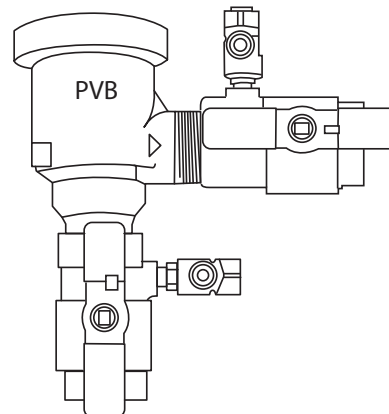
Lasts longer and holds up to extreme conditions.

Product has all major national approvals:

Inspector friendly peace of mind!

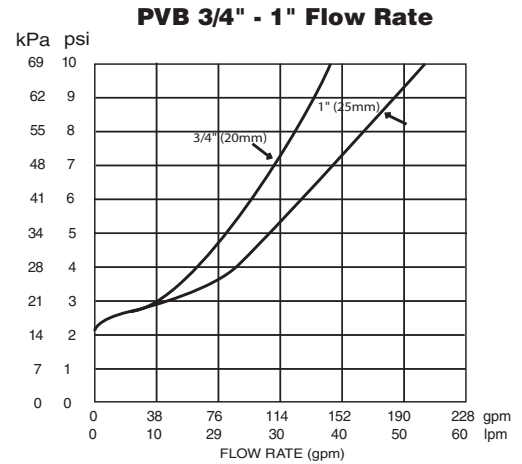
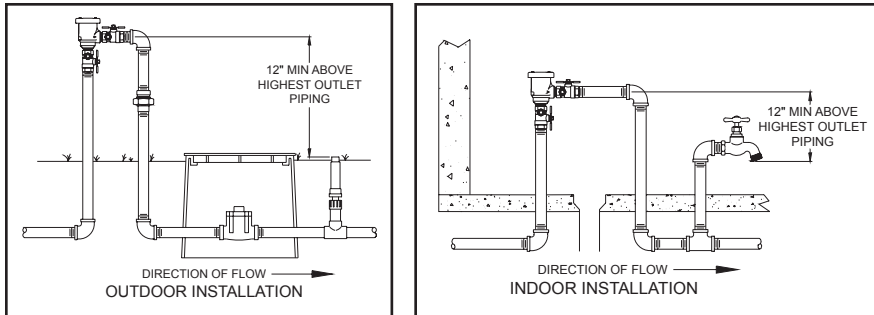
SPECIFICATION

Pressure Vacuum Breaker shall protect against backflow by either back-siphonage or the creation of a vacuum. The device shall be constructed of bronze. It incorporates an independent check valve with a spring loaded float disc. Designed for installation on potable water lines to prevent against contaminated water back-siphonage into the potable water supply. Assembly shall provide protection against back-siphonage where a potential health hazard exists.

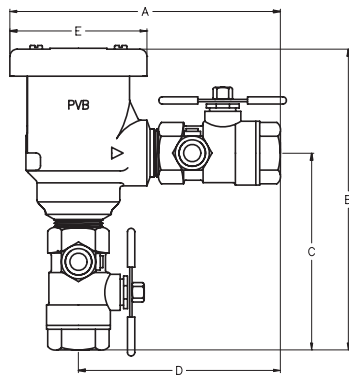


Cash-Flo® Pressure Vacuum Breaker PVB

TYPICAL INSTALLATION



SPECIFICATION DATA



Capacity thru Schedule 40 Pipe (GPM)				
Pipe size	5 ft/sec	7.5 ft/sec	10 ft/sec	15 ft/sec
3/4"	8	12	17	25
1"	13	20	27	40

Size	Part #	A	B	C	D	E	Width	Wgt with ball valves	Wgt w/out ball valves
3/4"	B9500	6"		4-5/16"	4-1/2"	3"	3-7/8"	3-1/4 lbs	1-1/2 lbs
1"	B9501	6-1/2"	7-1/8"	5-1/16"	5"	3"	4"	4-1/4 lbs	1-1/2 lbs

Performance:

Maximum working pressure . . . 175 psi
 Maximum working temp 140°F (60°C)
 Hydrostatic Test Pressure 300 psi

Materials:

Valve Body Bronze (ASTM B584)
 Access Cover ABS
 Polymers Noryl™, NSF Listed
 Elastomers Silicone / Buna-n
 Springs Stainless Steel

CONNECTIONS

3/4" and 1"

CERTIFICATIONS

The Cash-Flo® Pressure Vacuum Breaker PVB is ASSE 1020 listed. All major national approvals are under the Flomatic brand name.